



PROJECT NO. 50207750rev1

DATE 9/23/2015

Quoted To: American Panel
Attn:

Project location:
Quoted by: Donnie Rupp
Phone 770-465-5600 - Fax 800-770-4450
E-mail donnie.rupp@heatcrafttrpd.com
Quote Validity date 60 Days.
cc:

PROJECT SPECIFICATIONS

OUTDOOR CONDENSING UNIT

Model: BLV300BM6*AP

R-404A Outdoor one (1) compressor condensing unit 208-230/3/60 - 460/3/60
Galvanized steel baseframe
Built on a BLV style base frame

Compressors

One (1) 4GE-30-2NU compressor @ 15°F SST / +95 F AMB / 201,623 BTUH
One (1) 4GE-30-2DU compressor @ -40°F SST / +95°F AMB / 46,133 BTUH
Compressor is a Bitzer semi-hermetic reciprocating compressor w/service valves, encapsulated high pressure control, adjustable low pressure control, oil safety control, suction/discharge vibration eliminators, and crankcase heater.

Receiver

Horizontal liquid receiver w/ pressure relief system
188 lbs Nominal pumpdown capacity
Low Ambient kit w/ heated and insulated receiver

Liquid / Suction Groups

Liquid line w/replaceable core filter/drier and sight glass.
Replaceable core suction filter
Suction accumulator
One (1) suction and liquid stub out.

Mounted valves & controls

One (1) adjustable low pressure control.
Braided stainless steel superhose for control lines.
Flooded condenser valve for low ambient operation.



PROJECT NO. 50207750rev1

DATE 9/23/2015

Quoted To: American Panel
Attn:

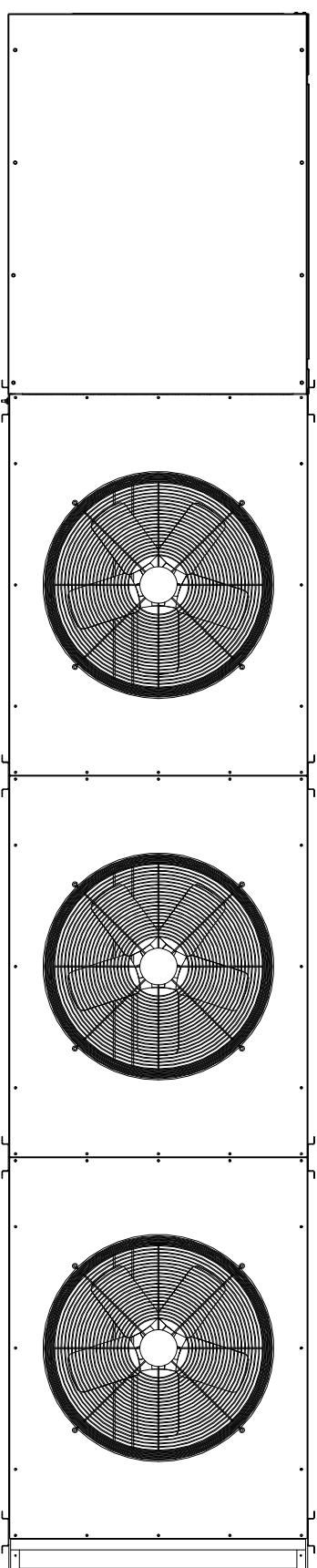
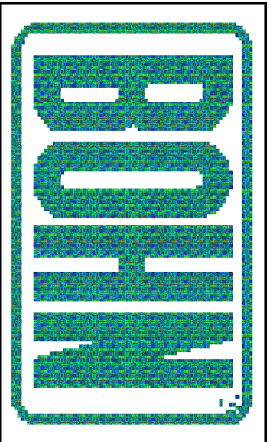
Project location:
Quoted by: Donnie Rupp
Phone 770-465-5600 - Fax 800-770-4450
E-mail donnie.rupp@heatcrafterpd.com
Quote Validity date 60 Days.
cc:

PROJECT SPECIFICATIONS

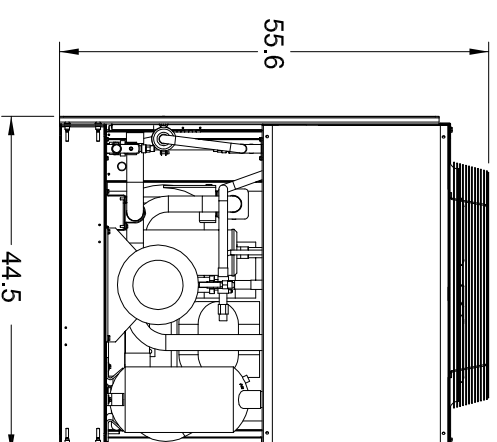
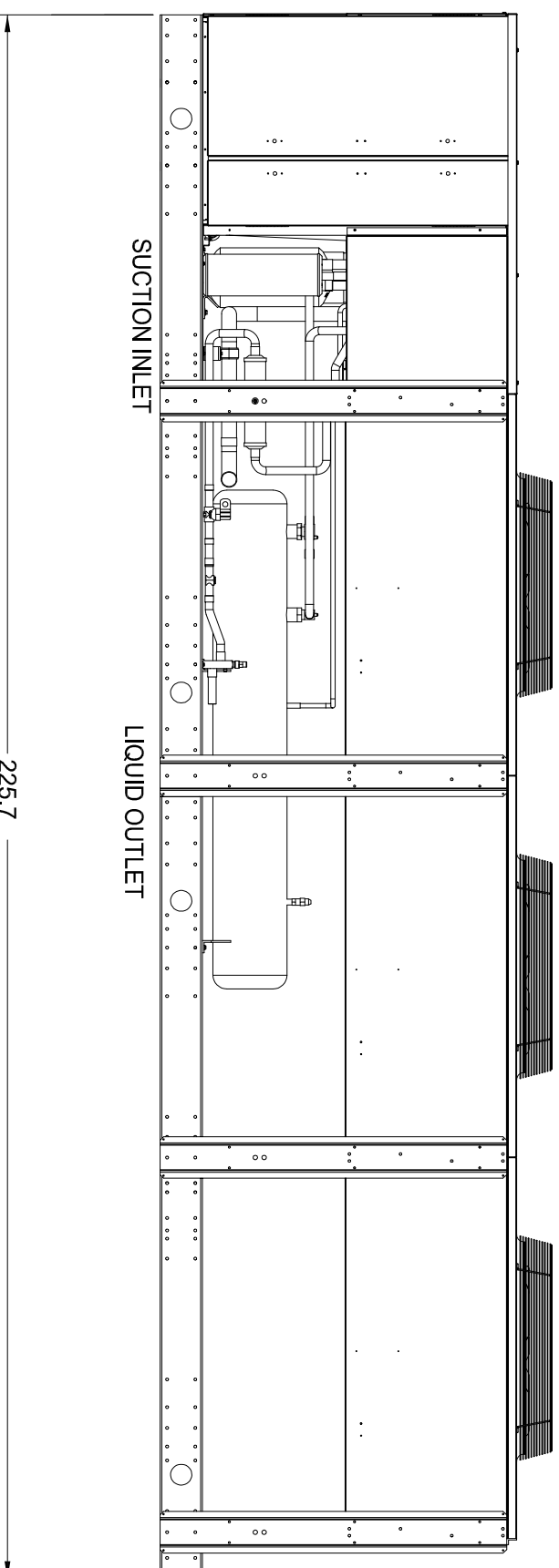
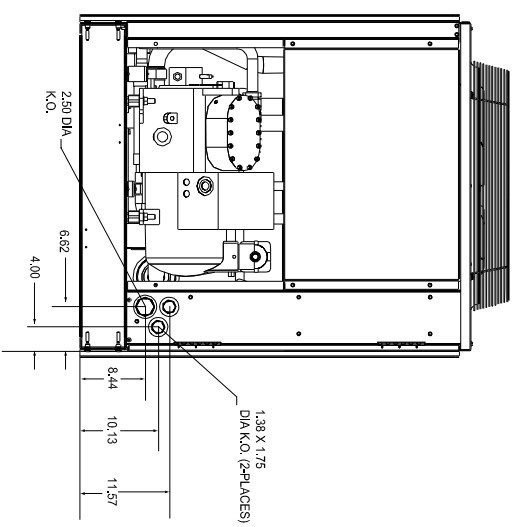
Electrical Panel

NEMA 4 Control Panel for 460/3/60 or 230/3/60
ETL Listed electrical enclosure
Electrical distribution block
Phase monitor
Control circuit transformer
230/1/60 control circuit
Compressor motor contactor
Condenser fan contactors
Pressure fan cycle controls
Non fused disconnect
Misc. fuses, relays, switches, & terminal strips

Approximate Dimension : 226" L x 44.5" W x 55.6" H
Approximate Weight: 2,200 lbs.



STANDARD
DIMENSIONAL DATA
3 FAN
VERTICAL CONDENSING UNIT



UNIT SPECIFICATIONS

MODEL	LIQUID SUCTION (ODS)	CONNECTIONS LIQUID SUCTION (ODS)	REFRIG. TYPE	APPL. RANGE °F	SHIPPING WT. (LBS) APPROX.	PUMPDOWN CAPACITY (LBS) 80%
BLV300BM6*AP	1-1/8"	2-1/8"	R-404A/507	-40/+15	2200	188

ELECTRICAL CHARACTERISTICS

COMPRESSOR MODEL NO.	POWER SUPPLY	COMPRESSOR		FAN		UNIT	
		RLA	LRA	QTY	FLA	MCA	MOPD
4GE-30-2NU	208-230V/3Ø/60HZ	99.2	490	3	7	145	225
4GE-30-2NU	460V/3Ø/60HZ	44.9	245	3	3.5	67.4	110

THIS DOCUMENT CONTAINS MATERIAL AND/OR INFORMATION WHICH IS THE PROPERTY OF HEATCRAFT RPD LLC, AND IS SUPPLIED ONLY ON A PROPRIETARY BASIS. NO TRANSMITTAL SHALL BE MADE TO ANY PERSON, FIRM, OR CORPORATION WITHOUT PRIOR WRITTEN APPROVAL.

REF. NO. _____ DATE _____
 DRAWN TLD 9/03/2015
 CHECKED _____ DATE _____

DATE _____ REV. _____ SHT. 1 OF 1

TITLE DIMENSIONAL DATA
 MODEL BLV300BM6*AP
 DWG. NO. B
 REV. 5