



A Brand of Heatcraft Refrigeration Products
 2175 West Park Place Boulevard
 Stone Mountain, GA 30087
 800.537.7775
 www.thecoldstandard.com

BDT0751M6C
Discus™
Air-cooled

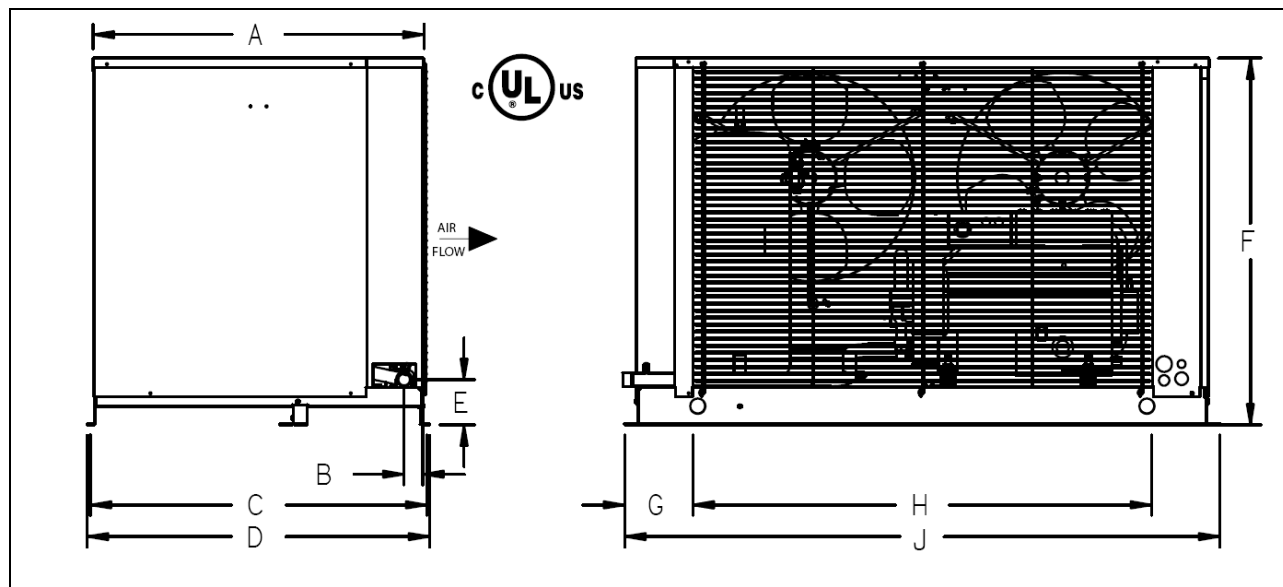
Project:	QUOTATION: Air Cooled submittals Item No: 20
Location: ,	Submitted by: Tim Blackmore
Customer:	DATE: 9/24/2015
Identity #:	<input checked="" type="checkbox"/> For Record By: _____
Tag:	<input type="checkbox"/> For Approval Date: _____

PHYSICAL & ELECTRICAL DATA

REFRIGERANT	COMPRESSOR		CONNECTIONS (inches)		RECEIVER CAPACITY (90%)	NET WEIGHT	SOUND DATA	ALTITUDE	AMBIENT TEMP
	Model No.	HP	Liquid	Suction					
R404A/R507	2DA3R89KE	7.5	5/8	1 3/8	67	985	82	0 ft.	95°F

POWER SUPPLY	COMPRESSOR		FAN MOTOR			MCA†		MOP‡		Evap. Fan	Defrost Heater
	RLA	LRA	QTY	HP	FLA	Air	Elec.	Air	Elec.	Amps	Amps
208-230/3/60	28.7	169	2	1/3	5.4	41.3	61.3	70	90	20	48

†MCA=Minimum Circuit Ampacity
 ‡MOP = Maximum Overcurrent Protection



DIMENSIONS (inches)



A Brand of Heatcraft Refrigeration Products
 2175 West Park Place Boulevard
 Stone Mountain, GA 30087
 800.537.7775
 www.thecoldstandard.com

BDT0751M6C
Discus™
Air-cooled

Project:	QUOTATION: Air Cooled submittals Item No: 20
Location: ,	Submitted by: Tim Blackmore
Customer:	DATE: 9/24/2015
Identity #:	<input checked="" type="checkbox"/> For Record By: _____
Tag:	<input type="checkbox"/> For Approval Date: _____

A	B	C	D	E	F	G	H	J
35.375	2	36	36.75	4.875	39.25	7.25	49	63.75

DIMENSIONS (inches)							
K	L	M	N	P	R	S	

CAPACITY (BTUH)						
40 °F SST	35°F SST	30 °F SST	25 °F SST	20 °F SST	15 °F SST	10°F SST
90870	85420	79960	74010	68060	62460	56890

CAPACITY (BTUH)						
5 °F SST	0 °F SST	-5 °F SST	-10 °F SST	-15 °F SST	-20 °F SST	-25 °F SST
51280	45670	40870	36060	0	0	0

CAPACITY (BTUH)						
-30 °F SST	-35 °F SST	-40 °F SST				
0	0	0				

SST = Saturated Suction Temperature

STANDARD FEATURES

- | | |
|---------------------------------------------------------------------------------------------------------------------------------------------------------------------------------------------------------------------------------------------------------------------------------------------------------------------------------------------------------------------------------------------------------------------------------------------------------------------------------------------------------------------------------------------------------------------------------|---------------------------------------------------------------------------------------------------------------------------------------------------------------------------------------------------------------------------------------------------------------------------------------------------------------------------------------------------------------------------------------------------------------------------------------------------------------------------------------------------------------------------------------------------------------------------------------------------------------------------------------------------------------------------------------------------------------------------------------------------------------------------------------------------------|
| <p>Cabinet & Construction:</p> <ul style="list-style-type: none"> • Painted steel cabinets • Removable grill for access to all serviceable parts • Large electrical panel located out of air stream • Base valve and high & low pressure taps on outside of unit • Fixed high and adjustable low pressure switches • Sight glass • Head pressure valve on all outdoor units • Sight glass and permanent liquid line filter • Vertical receiver with dual isolation valves | <p>Compressor:</p> <ul style="list-style-type: none"> • Semi-hermetic and Scroll. R-22 and R-404A/507 available for both medium and low temperature applications • Spring mounting with Discus® or Bitzer compressors • Discharge line check valve with medium and low temperature Scroll® compressors • Discharge line thermostat with medium temperature Scroll® compressors • Liquid injection solenoid valve and capillary tube with low temperature Scroll® compressors • Manual pump-down switch • Suction and discharge vibration eliminators with Discus® or Bitzer compressors • Crankcase heater • Service Mate™ module for 230 V control circuits to assist in diagnostics and troubleshooting |
|---------------------------------------------------------------------------------------------------------------------------------------------------------------------------------------------------------------------------------------------------------------------------------------------------------------------------------------------------------------------------------------------------------------------------------------------------------------------------------------------------------------------------------------------------------------------------------|---------------------------------------------------------------------------------------------------------------------------------------------------------------------------------------------------------------------------------------------------------------------------------------------------------------------------------------------------------------------------------------------------------------------------------------------------------------------------------------------------------------------------------------------------------------------------------------------------------------------------------------------------------------------------------------------------------------------------------------------------------------------------------------------------------|



A Brand of Heatcraft Refrigeration Products
 2175 West Park Place Boulevard
 Stone Mountain, GA 30087
 800.537.7775
 www.thecoldstandard.com

BDT0751M6C
Discus™
Air-cooled

Project:	QUOTATION: Air Cooled submittals Item No: 20
Location: ,	Submitted by: Tim Blackmore
Customer:	DATE: 9/24/2015
Identity #:	<input checked="" type="checkbox"/> For Record By: _____
Tag:	<input type="checkbox"/> For Approval Date: _____

- Piping is pre-bent to eliminate leaks
 - Sentronic oil failure switch with Discus® compressors
- Coil:
- Floating Tube™ coil design
 - Completely leak tested in a helium environment
 - Refrigeration-duty, rifled copper condenser tubing
- Fan Motors:
- Rated for 50 and 60 cycle application
 - Standard PSC

OPTIONS

Mounted Options:

<input checked="" type="checkbox"/> Power Switch: Fused Disconnect 230	<input checked="" type="checkbox"/> Suction Filter: Replaceable Core Suction Filter
<input checked="" type="checkbox"/> Liquid Filter Drier: Replaceable Core Liquid Filter	<input checked="" type="checkbox"/> High Pressure Switch: Adj HPS (w/manual reset) and Adj LPS
<input checked="" type="checkbox"/> Misc:Suction Accumulator	<input checked="" type="checkbox"/> Misc:Insulated and Heated Receiver

Ship Loose Options:

None	
------	--

MINIMUM UNIT CLEARANCES

