



5800 SE 78th Street, Ocala FL 34472
 Phone: 800-327-3015 Fax 352-245 0726
www.americanpanel.com

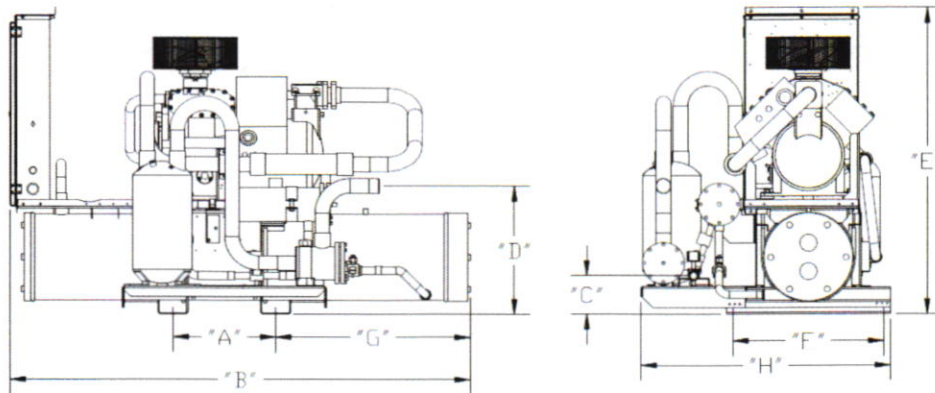
Project: WS2500M6C / WS2500M6D	QUOTATION:
Location:	Submitted by:
Customer:	DATE: 08/28/2015
Identity #:	For Record By:
Tag:	For Approval Date:

PHYSICAL & ELECTRICAL DATA

COMPRESSOR		CONNECTIONS (inches)		RECEIVER CAPACITY (80%)	NET WEIGHT	WATER (FPT)	85°F INLET 15° SST	AMBIENT TEMP
Model No.	HP	Liquid	Suction				34.8 GPM	
4DHNR22ME	25	1-1/8	2-1/8	182	1189	2-1/2"	1.1 PSI	95°F

POWER SUPPLY	COMPRESSOR		FAN MOTOR			MCA†		MOP‡		Evap. Fan	Defrost Heater
Volts / Ph / Hz	RLA	LRA	QTY	HP	FLA	Air	Elec.	Air	Elec.	Amps	Amps
208-230/3/60	66.8	428				83.5		150			
460/3/60	33.4	214				41.8		70			

†MCA=Minimum Circuit Ampacity
 ‡MOP = Maximum Overcurrent Protection



DIMENSIONS (inches)								
A	B	C	D	E	F	G	H	J
15	67.2	5.75	16	44	22	28.41	36.44	



5800 SE 78th Street, Ocala FL 34472
 Phone: 800-327-3015 Fax 352-245 0726
www.americanpanel.com

DIMENSIONS (inches)						
K	L	M	N	P	R	S

CAPACITY (BTUH)						
40° F SST	35° F SST	30° F SST	25° F SST	185400	169500	154000
0	0	0	0	141000	10° F SST	10° F SST

SST = Saturated Suction Temperature

STANDARD FEATURES

- Construction
- Pre-bent tubing
- Easy access refrigerant piping
- Pressure relief valve
- Shell and Tube Cleanable condenser coil
- More spacious, pre-painted electrical box
- 230 volt control (circuit transformer on 460 volt models)
- Single electrical connection location
- Shipped with dry nitrogen charge
- Heavy duty base plate
- Plastic conduit on all wiring runs
- Replaceable core filter drier with sight glass
- Removable electrical box from compressor access from the front
- Captive door fasteners
- Compressor
- Discus compressor
- Compressor contactor
- Oil pressure switch (where required)
- Pump down switch
- Fixed low pressure switch (adjustable on low temp models)
- Fixed high pressure switch

OPTIONS

Mounted Options:

<input checked="" type="checkbox"/> Power Switch: Compressor Circuit Breakers	<input checked="" type="checkbox"/> Suction Filter Drier: Replaceable Core Filter
<input checked="" type="checkbox"/> Misc: Suction Accumulator	<input checked="" type="checkbox"/> Misc: Dual Pressure Control
<input checked="" type="checkbox"/> Water Regulating Valve	

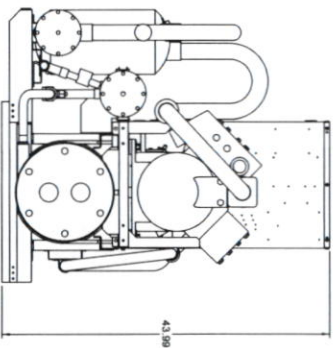
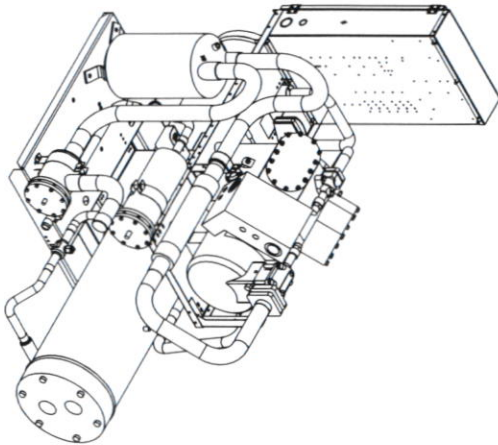
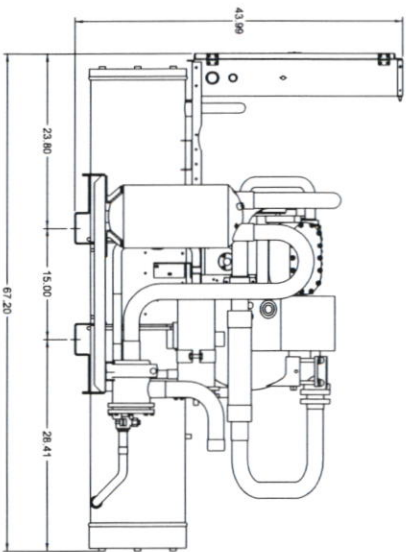
Ship Loose Options:

UNIT SPECIFICATIONS

MODEL	LIQUID CONNECTIONS (CDS)	SUCTION CONNECTIONS (CDS)	WATER (FPT)	REFRIG. TYPE	APPL. RANGE °F	SHIPPING W.T. (LBS) APPROX.	PUMPDOWN CAPACITY (LBS) 80%
WS2500MC/D	1-1/8	2-1/8	2-1/2"	R-404A/507	+15/+40	1189	182

ELECTRICAL CHARACTERISTICS

COMPRESSOR MODEL NO.	POWER SUPPLY	COMPRESSOR		UNIT		ELECT DEFRST		UNIT		ELECT DEFRST		UNIT	
		RLA	LRA	MCA	MDPD	FAN	HEATER	MCA	MDPD	FAN	HEATER	MCA	MDPD
4DHNR22ME-TSK	208-230V/3Ø/60HZ	66.8	428	83.5	150								
4DHNR22ME-TSK	460V/3Ø/60HZ	33.4	214	41.8	70								



REV	DATE	DESCRIPTION
1	08/02/15	ISSUE FOR CONSTRUCTION
2	08/02/15	ISSUE FOR CONSTRUCTION
3	08/02/15	ISSUE FOR CONSTRUCTION
4	08/02/15	ISSUE FOR CONSTRUCTION
5	08/02/15	ISSUE FOR CONSTRUCTION
6	08/02/15	ISSUE FOR CONSTRUCTION
7	08/02/15	ISSUE FOR CONSTRUCTION
8	08/02/15	ISSUE FOR CONSTRUCTION
9	08/02/15	ISSUE FOR CONSTRUCTION
10	08/02/15	ISSUE FOR CONSTRUCTION
11	08/02/15	ISSUE FOR CONSTRUCTION
12	08/02/15	ISSUE FOR CONSTRUCTION
13	08/02/15	ISSUE FOR CONSTRUCTION
14	08/02/15	ISSUE FOR CONSTRUCTION
15	08/02/15	ISSUE FOR CONSTRUCTION
16	08/02/15	ISSUE FOR CONSTRUCTION
17	08/02/15	ISSUE FOR CONSTRUCTION
18	08/02/15	ISSUE FOR CONSTRUCTION
19	08/02/15	ISSUE FOR CONSTRUCTION
20	08/02/15	ISSUE FOR CONSTRUCTION
21	08/02/15	ISSUE FOR CONSTRUCTION
22	08/02/15	ISSUE FOR CONSTRUCTION
23	08/02/15	ISSUE FOR CONSTRUCTION
24	08/02/15	ISSUE FOR CONSTRUCTION
25	08/02/15	ISSUE FOR CONSTRUCTION
26	08/02/15	ISSUE FOR CONSTRUCTION
27	08/02/15	ISSUE FOR CONSTRUCTION
28	08/02/15	ISSUE FOR CONSTRUCTION
29	08/02/15	ISSUE FOR CONSTRUCTION
30	08/02/15	ISSUE FOR CONSTRUCTION
31	08/02/15	ISSUE FOR CONSTRUCTION
32	08/02/15	ISSUE FOR CONSTRUCTION
33	08/02/15	ISSUE FOR CONSTRUCTION
34	08/02/15	ISSUE FOR CONSTRUCTION
35	08/02/15	ISSUE FOR CONSTRUCTION
36	08/02/15	ISSUE FOR CONSTRUCTION
37	08/02/15	ISSUE FOR CONSTRUCTION
38	08/02/15	ISSUE FOR CONSTRUCTION
39	08/02/15	ISSUE FOR CONSTRUCTION
40	08/02/15	ISSUE FOR CONSTRUCTION
41	08/02/15	ISSUE FOR CONSTRUCTION
42	08/02/15	ISSUE FOR CONSTRUCTION
43	08/02/15	ISSUE FOR CONSTRUCTION
44	08/02/15	ISSUE FOR CONSTRUCTION
45	08/02/15	ISSUE FOR CONSTRUCTION
46	08/02/15	ISSUE FOR CONSTRUCTION
47	08/02/15	ISSUE FOR CONSTRUCTION
48	08/02/15	ISSUE FOR CONSTRUCTION
49	08/02/15	ISSUE FOR CONSTRUCTION
50	08/02/15	ISSUE FOR CONSTRUCTION
51	08/02/15	ISSUE FOR CONSTRUCTION
52	08/02/15	ISSUE FOR CONSTRUCTION
53	08/02/15	ISSUE FOR CONSTRUCTION
54	08/02/15	ISSUE FOR CONSTRUCTION
55	08/02/15	ISSUE FOR CONSTRUCTION
56	08/02/15	ISSUE FOR CONSTRUCTION
57	08/02/15	ISSUE FOR CONSTRUCTION
58	08/02/15	ISSUE FOR CONSTRUCTION
59	08/02/15	ISSUE FOR CONSTRUCTION
60	08/02/15	ISSUE FOR CONSTRUCTION
61	08/02/15	ISSUE FOR CONSTRUCTION
62	08/02/15	ISSUE FOR CONSTRUCTION
63	08/02/15	ISSUE FOR CONSTRUCTION
64	08/02/15	ISSUE FOR CONSTRUCTION
65	08/02/15	ISSUE FOR CONSTRUCTION
66	08/02/15	ISSUE FOR CONSTRUCTION
67	08/02/15	ISSUE FOR CONSTRUCTION
68	08/02/15	ISSUE FOR CONSTRUCTION
69	08/02/15	ISSUE FOR CONSTRUCTION
70	08/02/15	ISSUE FOR CONSTRUCTION
71	08/02/15	ISSUE FOR CONSTRUCTION
72	08/02/15	ISSUE FOR CONSTRUCTION
73	08/02/15	ISSUE FOR CONSTRUCTION
74	08/02/15	ISSUE FOR CONSTRUCTION
75	08/02/15	ISSUE FOR CONSTRUCTION
76	08/02/15	ISSUE FOR CONSTRUCTION
77	08/02/15	ISSUE FOR CONSTRUCTION
78	08/02/15	ISSUE FOR CONSTRUCTION
79	08/02/15	ISSUE FOR CONSTRUCTION
80	08/02/15	ISSUE FOR CONSTRUCTION
81	08/02/15	ISSUE FOR CONSTRUCTION
82	08/02/15	ISSUE FOR CONSTRUCTION
83	08/02/15	ISSUE FOR CONSTRUCTION
84	08/02/15	ISSUE FOR CONSTRUCTION
85	08/02/15	ISSUE FOR CONSTRUCTION
86	08/02/15	ISSUE FOR CONSTRUCTION
87	08/02/15	ISSUE FOR CONSTRUCTION
88	08/02/15	ISSUE FOR CONSTRUCTION
89	08/02/15	ISSUE FOR CONSTRUCTION
90	08/02/15	ISSUE FOR CONSTRUCTION
91	08/02/15	ISSUE FOR CONSTRUCTION
92	08/02/15	ISSUE FOR CONSTRUCTION
93	08/02/15	ISSUE FOR CONSTRUCTION
94	08/02/15	ISSUE FOR CONSTRUCTION
95	08/02/15	ISSUE FOR CONSTRUCTION
96	08/02/15	ISSUE FOR CONSTRUCTION
97	08/02/15	ISSUE FOR CONSTRUCTION
98	08/02/15	ISSUE FOR CONSTRUCTION
99	08/02/15	ISSUE FOR CONSTRUCTION
100	08/02/15	ISSUE FOR CONSTRUCTION