

Modular Blast Chillers & Shock Freezers

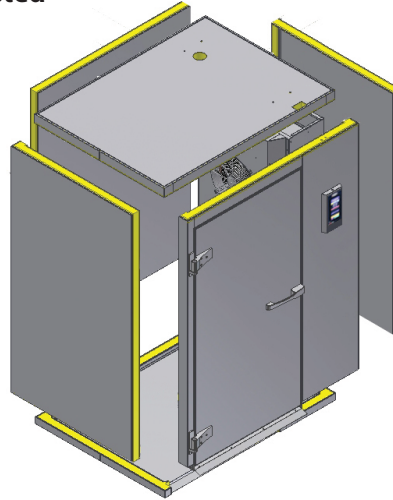
American Panel's modular series of blast chillers and shock freezers make site restrictions a thing of the past. These units are assembled in the field, the same way a typical walk-in is erected. No more wondering how you're going to get that large piece of equipment through the door. American Panel quality and precision in a flexible format to fit your needs. Customize your unit with any of the typical HURRiCHILL accessories.

- All Stainless Steel Construction
- 3" Foamed-In-Place Insulation
- Easily Assembled On-Site
- NSF Sanitation Certification
- Plug & Play Wiring
- Fits through any building door
- Fits on Elevators with Ease
- Low Profile Controller
- UL Listed



Recommended Models based on Rack Size:

- AP20 Models = Standard Sheet Racks
- AP26 Models = Standard Sheet Racks
- AP36 Models = All Combi Oven Racks
- AP46 Models = Double Bakery Racks



Model #	Maximum Mobile Rack Size	Unit Size (WxLxH)	Refrig. Model	Chilling Capacity 160°F-38°F		Freeze Capacity 160°F-0°F (4 hours)
				(90 mins)	(120 mins)	
AP20BC-1T	(1) 26" x 32" x 73.5"	51" x 44" x 88"	RCU4BC-A	200 lbs.	230 lbs.	---
AP20BC-2T	(2) 26" x 32" x 73.5"	51" x 81" x 88"	RCU6.5BC-A	400 lbs.	460 lbs.	---
AP20BC-3T	(3) 26" x 32" x 73.5"	51" x 118" x 89"*	RCU12BC-A	600 lbs.	690 lbs.	---
AP26BC-1T	(1) 26" x 36" x 73.5"	55" x 48" x 88"	RCU6.5BC-A	260 lbs.	300 lbs.	---
AP26BC-2T	(2) 26" x 36" x 73.5"	55" x 89" x 88"	RCU12BC-A	520 lbs.	600 lbs.	---
AP26BC-3T	(3) 26" x 36" x 73.5"	55" x 130" x 89"*	RCU15BC-A	780 lbs.	900 lbs.	---
AP36BC-1T	(1) 31" x 38" x 73.5"	60" x 50" x 88"	RCU7BC-A	360 lbs.	415 lbs.	---
AP36BC-2T	(2) 31" x 38" x 73.5"	60" x 93" x 88"	RCU12BC-A	720 lbs.	830 lbs.	---
AP36BC-3T	(3) 31" x 38" x 73.5"	60" x 136" x 89"*	RCU25BC-A	1,080 lbs.	1,245 lbs.	---
AP46BC-1T	(1) 35" x 39" x 73.5"	64" x 51" x 88"	RCU12BC-A	460 lbs.	530 lbs.	---
AP46BC-2T	(2) 35" x 39" x 73.5"	64" x 95" x 88"	RCU25BC-A	920 lbs.	1,060 lbs.	---
AP46BC-3T	(3) 35" x 39" x 73.5"	64" x 139" x 89"*	RCU25BC-A	1,380 lbs.	1,590 lbs.	---
AP20BCF-1T	(1) 26" x 32" x 73.5"	51" x 44" x 88"	RCU3BCF-A	200 lbs.	230 lbs.	120 lbs.
AP20BCF-2T	(2) 26" x 32" x 73.5"	51" x 81" x 88"	RCU7BCF-A	400 lbs.	460 lbs.	240 lbs.
AP20BCF-3T	(3) 26" x 32" x 73.5"	51" x 118" x 89"*	RCU12BCF-A	600 lbs.	690 lbs.	360 lbs.
AP26BCF-1T	(1) 26" x 36" x 73.5"	55" x 48" x 88"	RCU6BCF-A	260 lbs.	300 lbs.	156 lbs.
AP26BCF-2T	(2) 26" x 36" x 73.5"	55" x 89" x 88"	RCU12BCF-A	520 lbs.	600 lbs.	312 lbs.
AP26BCF-3T	(3) 26" x 36" x 73.5"	55" x 130" x 89"*	RCU22BCF-A	780 lbs.	900 lbs.	468 lbs.
AP36BCF-1T	(1) 31" x 38" x 73.5"	60" x 50" x 88"	RCU7BCF-A	360 lbs.	415 lbs.	216 lbs.
AP36BCF-2T	(2) 31" x 38" x 73.5"	60" x 93" x 88"	RCU12BCF-A	720 lbs.	830 lbs.	432 lbs.
AP36BCF-3T	(3) 31" x 38" x 73.5"	60" x 136" x 89"*	RCU22BCF-A	1,080 lbs.	1,245 lbs.	648 lbs.
AP46BCF-1T	(1) 35" x 39" x 73.5"	64" x 51" x 88"	RCU12BCF-A	460 lbs.	530 lbs.	276 lbs.
AP46BCF-2T	(2) 35" x 39" x 73.5"	64" x 95" x 88"	RCU22BCF-A	920 lbs.	1,060 lbs.	552 lbs.
AP46BCF-3T	(3) 35" x 39" x 73.5"	64" x 139" x 89"*	RCU30BCF-A	1,380 lbs.	1,590 lbs.	828 lbs.