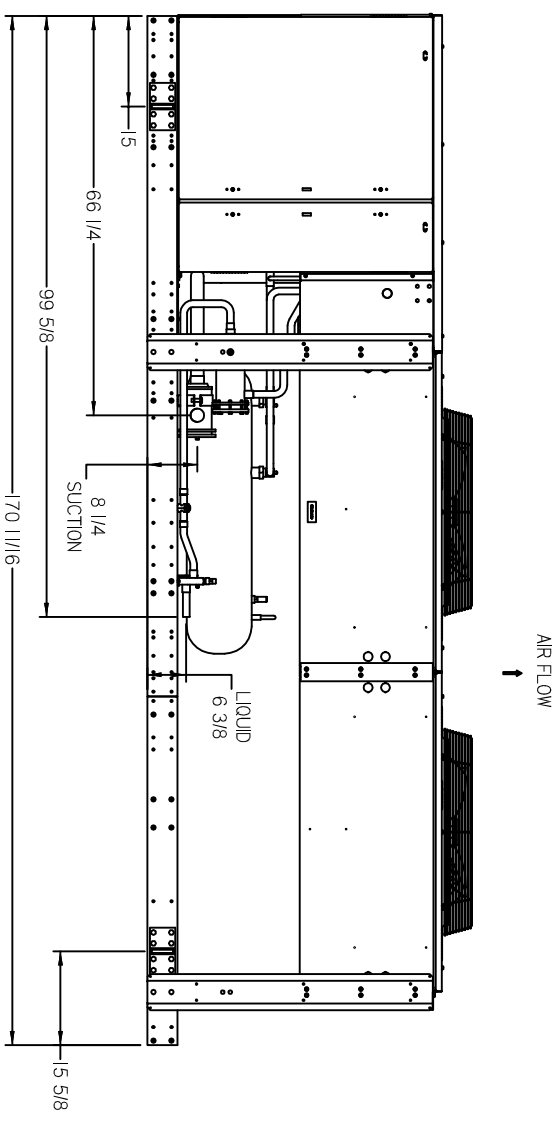
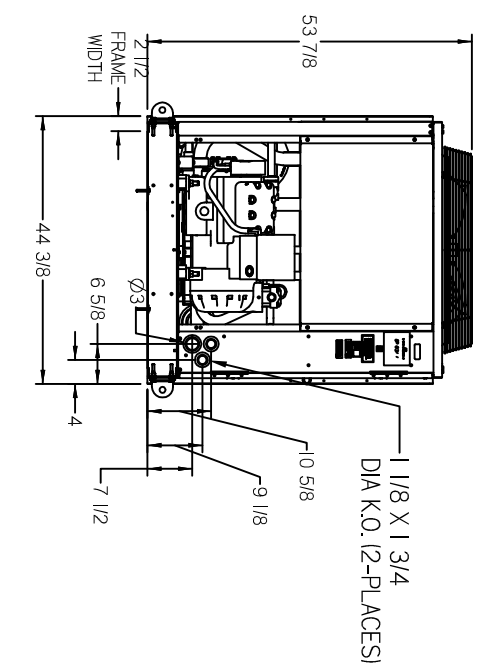
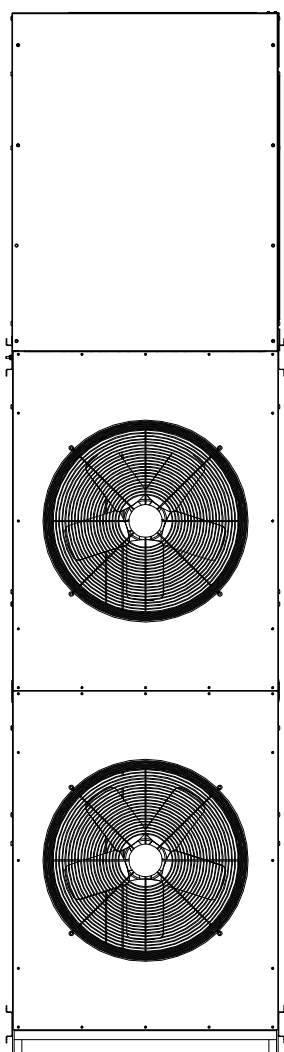


STANDARD
DIMENSIONAL DATA
2 FAN
VERTICAL CONDENSING UNIT



UNIT SPECIFICATIONS

MODEL	CONNECTIONS		REFRIG. TYPE	APPL. RANGE °F.-°F	SHIPPING WT. (LBS) APPROX.	PUMPDOWN CAPACITY (LBS) 80%
	LIQUID (ODS)	SUCTION (ODS)				
BCV0220M*ABX	1-1/8"	2-1/8"	R-404A/507	-40/+15	1700	123

ELECTRICAL CHARACTERISTICS

UNIT MODEL NO.	COMPRESSOR MODEL NO.	POWER SUPPLY	COMPRESSOR		FAN		UNIT	
			RLA	LRA	QTY	FLA	MCA	MOPD
BCV0220MCABXX0770	4JE-22-2NU	208-230V/3Ø/60HZ	68.1	352	2	7	92.1	150
BCV0220MDABXX0772	4JE-22-2NU	460V/3Ø/60HZ	30.8	176	2	3.4	41.9	70
BCV0220MEABXX0823	4JE-22-5NU	575V/3Ø/60HZ	24.4	140	2	5.6	37.0	60

THIS DOCUMENT CONTAINS MATERIAL AND/OR INFORMATION WHICH IS THE PROPERTY OF HEATCRAFT RPD LLC, AND IS SUPPLIED ONLY ON A PROPRIETARY BASIS. NO TRANSMITTAL SHALL BE MADE TO ANY PERSON, FIRM, OR CORPORATION WITHOUT PRIOR WRITTEN APPROVAL.				TITLE MODEL DIMENSIONAL DATA BCV0220M*ABX	
REF. NO.	DRAWN	DATE	TLDI	CHECKED	DATE
		9/3/2015			
DATE	REV.	SHT. 1 OF 1	DWG. NO.		REV. 6
			B		