



DATE: \_\_\_\_\_

DEALER/SERVICE CO: \_\_\_\_\_

PHONE: \_\_\_\_\_ JOB NAME: \_\_\_\_\_

**RAISED CASING DOOR QUOTE**

**CONSTRUCTION FEATURES**

- FRP Full Perimeter Door Frame
- 4" Foamed-in-Place Urethane Door/Frame
- Metal Faced PLY. Interior Casting
- Double Threshold Wiper Gasket
- Frame and Threshold Heater
- Brushed Hardware
- Cam Lift Hinges
- Hydraulic Door Closer
- Magnetic Gasket
- Stainless Trim

**WALK-IN INFO**

Type: Cooler Freezer  
 Location: Indoor Outdoor  
 Floor: Recessed With Ramp Thickness \_\_\_\_\_ Floorless  
 Hinge: Right Hand Left Hand  
 Extra Hinge  
 Spring Door Hinge  
 Window: 14x14 14x23  
 Other: \_\_\_\_\_

**DOOR SPECS**

Standard Widths

Door Opening	Exterior Frame (+14")
24"	38"
30"	44"
34"	48"
36"	50"
42"	56"
48"	62"

Special Width: Door Opening \_\_\_\_\_ Exterior Frame (+14"): \_\_\_\_\_

Standard Heights

Door Opening	Exterior Frame (+7.25")
77"	84.25"

Special Height: Door Opening \_\_\_\_\_ Exterior Frame (+7.25"): \_\_\_\_\_

**HANDLES**

- Non-Lockable Pull (STD)
- Deadbolt Handle w/Padlock Provision & Inside Release (OPT)

**INTERIOR FINISH**

- Acrylume
- .040 White Smooth Alum.
- .040 White Stucco Alum.
- .032 Stucco Alum.
- 22 Ga. Stainless Steel
- 20 Ga. Stainless Steel

**EXTERIOR FINISH**

- Acrylume
- .040 White Smooth Alum.
- .040 White Stucco Alum.
- .032 Stucco Alum.
- 22 Ga. Stainless Steel
- 20 Ga. Stainless Steel

**KICKPLATE INTERIOR**

- Stainless Steel
- 22Ga 20Ga 18Ga 16Ga
- Diamond Treadplate
- 1/10" 1/8"

**KICKPLATE EXTERIOR**

- Stainless Steel
- 22Ga 20Ga 18Ga 16Ga
- Diamond Treadplate
- 1/10" 1/8"

Height: \_\_\_\_\_

Height: \_\_\_\_\_

CONTACT NAME: \_\_\_\_\_

EMAIL: \_\_\_\_\_

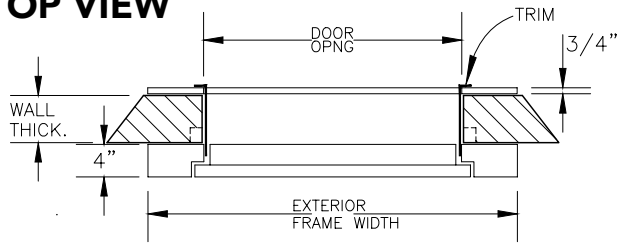
ADDRESS: \_\_\_\_\_

CITY: \_\_\_\_\_ STATE: \_\_\_\_\_ ZIP: \_\_\_\_\_

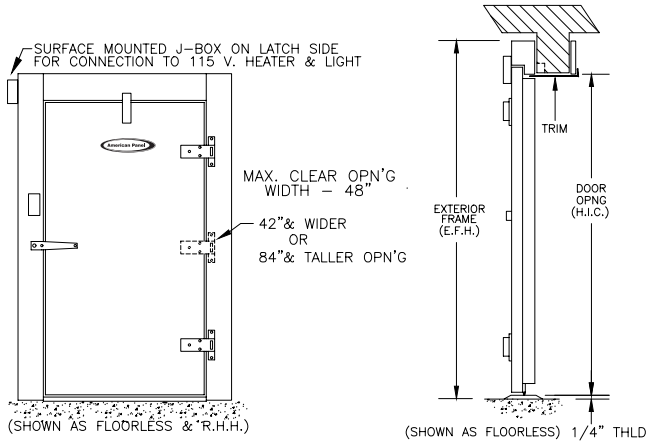
**SHIPPING ADDRESS - IF DIFFERENT THAN ABOVE:**

CITY: \_\_\_\_\_ STATE: \_\_\_\_\_ ZIP: \_\_\_\_\_

**TOP VIEW**



**SIDE VIEW**



5800 SE 78th St. Ocala, FL 34472 | Ph. 800.327.3015  
 www.americanpanel.com | Sales@americanpanel.com